

AC/DC Single Output Desk Top Type

• 30~60Watts Max.

EA1050 Series



Features

- Economy Type
- CEC Compliance
- RoHS Compliance
- IEC320 C14
- Over Voltage Protective Installation
- Short Circuit Protection Installation
- Over Current Protective Installation
- 100% Burn-In
- 100% Hi-Pot Tested
- LED Indication
- MTBF: >30,000 hours

EA1050 Y - vv PP

- Y:** Output range
- vv:** Specified output voltage, ie 24 is 24Vdc
- PP:** Connector type, ie 01 for standard dc cable or please refer to the appendix page

Electrical Specifications

MODEL No.	MAX. OUTPUT POWER (W)	OUTPUT VOLTAGE (Vo)	MIN. LOAD (Io)	MAX. LOAD (Io)	LOAD REGULATION	LINE REGULATION	RIPPLE & NOISE
EA1050A	60W	12~17V	0	5A	± 5%	± 1%	250mV
EA1050B	60W	18~24V	0	3.3A	± 5%	± 1%	350mV
EA1050C	50W	12~17V	0	4.2A	± 5%	± 1%	250mV
EA1050D	50W	18~24V	0	2.8A	± 5%	± 1%	350mV
EA1050E	42W	12~17V	0	3.5A	± 5%	± 1%	250mV
EA1050F	36W	12~17V	0	3.0A	± 5%	± 1%	250mV
EA1050G	30W	12~17V	0	2.5A	± 5%	± 1%	250mV

NOTE:

- 1 : Ripple & noise is measured by using 20MHz bandwidth limited oscilloscope and terminated each output with a 0.1uF ceramic capacitor & parallel with 47uF aluminum capacitor at full load and nominal line.
- 2 : Line regulation is defined by changing ±10% of input voltage from nominal line at rated load.
- 3 : Max. Output Power (W) ≥Vo x Io
- 4 : EA1050A & EA1050B Safety temperature: 25°C

Electrical Specifications

INPUT

- Input Range 100 to 240 VAC
- Frequency 50 to 60Hz
- Input Current ≤1.2A
- Inrush Current ≤80A At cold start
- Efficiency 80% Typ.
- Hold Up Time ≥8.3mS
- Turn On Time ≤3s

OUTPUT

- Over Voltage Protection Auto Recovery
- Short Circuit Protection Auto Recovery

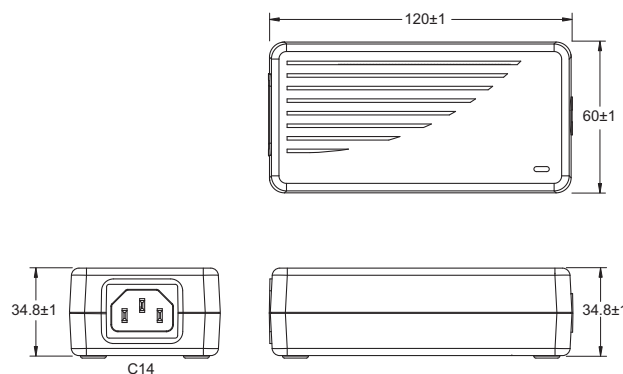
ENVIRONMENTAL

- Operating Temperature 0 to 40°C
- Storage Temperature -20 to 85°C
- Storage Humidity 5% to 95%

SAFETY

- 60065+60950: UL/CUL UL60065, UL60950, TUV/GS EN/IEC 60065, EN/IEC 60950, CCC, FCC, CE, CB, PSE, BSMI
- 60950: EK, GOST-R, NORDIC, DoIR+C-Tick, Argentina

Mechanical Specification



- Case Size: 120Lx60Wx34.8H (mm)
- AC Inlet: C14
- Weight: 280g