

600W Modified Sine Wave DC-AC Power Inverter

**A-301/302-600 series**



■ Features :

- 12V or 24V DC input
- Power ON-OFF switch
- Input voltage range: -15% ~ +25%
- Output voltage regulation: ±10%
- Protections: Bat. Low alarm/Bat. Low shutdown/Over voltage/Over temp./Output short/Input polarity reverse/Over load.
- Output waveform: Modified sine wave
- Cooling fan ON-OFF control
- Topology: Microprocessor
- Approvals: e13/ CE



**SPECIFICATION**

ORDER NO.	A301-600-B2	A301-600-F3	A302-600-B2	A302-600-F3	
OUTPUT	SAFETY MODEL NO. A-300-600W				
	AC VOLTAGE	110V	230V	110V	230V
	RATED POWER	600W			
	SURGE POWER	1200W			
	WAVEFORM	Modified Sine Wave			
	FREQUENCY	60Hz±1%	50Hz±1%	60Hz±1%	50Hz±1%
	AC REGULATION	±10%		±10%	
	STANDARD RECEPTACLES	TYPE-2* 2ea	TYPE-3* 1ea	TYPE-2* 2ea	TYPE-3* 1ea
LED INDICATOR	Green LED for power on; Red LED for power failure status				
INPUT	DC CURRENT	60A		30A	
	NO LOAD CURRENT DRAW	0.5A	0.6A	0.35A	0.38A
	DC VOLTAGE	12V		24V	
	VOLTAGE RANGE	10 ~ 15VDC		21 ~ 30VDC	
	EFFICIENCY (Typ.)	82%		85%	
	DC CONNECTOR	900mm Battery clip*1ea		900mm Battery clip*1ea	
	FUSE	25 A * 3ea		20 A * 3ea	
PROTECTION	BAT. LOW ALARM	10±0.5V		21±1V	
	BAT. LOW SHUTDOWN	9.5±0.5V		20±1V	
	OVER LOAD	>750W shut down o/p voltage, re-power on to recover			
	OVER VOLTAGE	15 ~ 17V		30 ~ 32V	
	OVER TEMPERATURE	60±5°C / 140±9°F			
	OUTPUT SHORT	Shut-off			
BAT. POLARITY	By fuse open				
ENVIRONMENT	WORKING TEMP.	0 ~ +30°C @100% load, 40°C @ 50% load			
	WORKING HUMIDITY	20% ~ 90% RH non-condensing			
	STORAGE TEMP., HUMIDITY	-30 ~ +70°C / -22 ~ +158°F, 10 ~ 95% RH			
	TEMP. COEFFICIENT	±0.05% / °C (0 ~ 50°C)			
SAFETY & EMC	ISOLATION RESISTANCE	I/P-O/P:100M Ohms min./ 500VDC / 25°C / 70% RH			
	EMI CONDUCTION & RADIATION	Compliance to EN55022 class B, 72/ 245/ CEE, 95/ 54/ CE			
	EMS IMMUNITY	Compliance to EN61000-4-2,3			
	LVD	Compliance to EN60950			
OTHERS	MTBF	100Khrs min. MIL-HDBK-217F(25°C)			
	DIMENSION	210*173*65mm (L*W*H)			
	PACKING	2.1kg ; 8pcs / 20kg / CARTON			
	COOLING	by fan, >50% load fan on			
	APPLICATIONS	Home appliance, Power tools, Office and Portable equipment and Vehicle ...etc.			

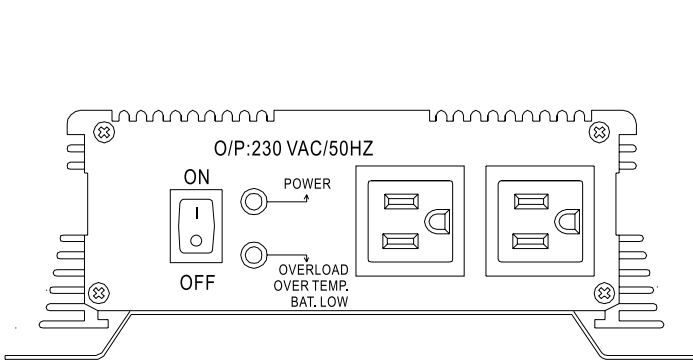
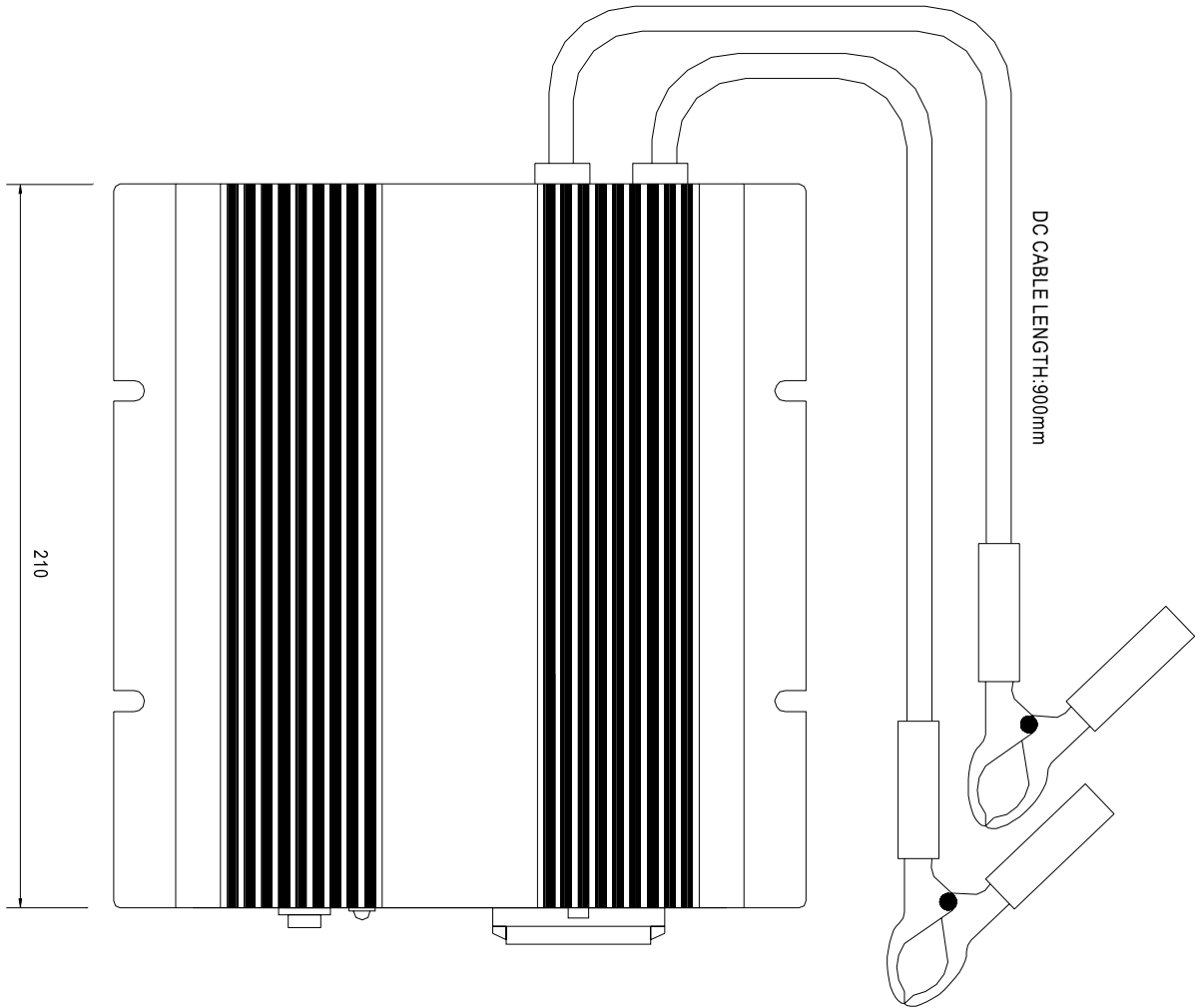
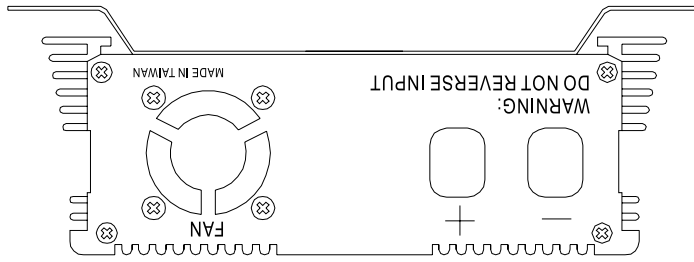
■ AC Output Receptacles (optional)

TYPE-1	TYPE-2	TYPE-3	TYPE-4	TYPE-5	TYPE-6
JAPAN	USA	EUROPE	UNIVERSAL	AUSTRALIA	U.K

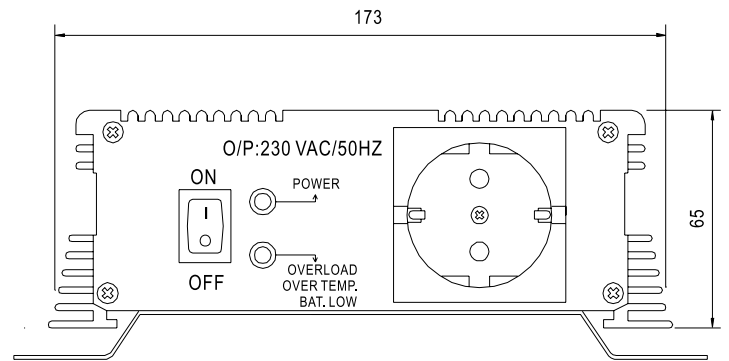
600W Modified Sine Wave DC-AC Power Inverter

**A-301/302-600** series

■ Mechanical Specification



USA



EUROPE

173

69